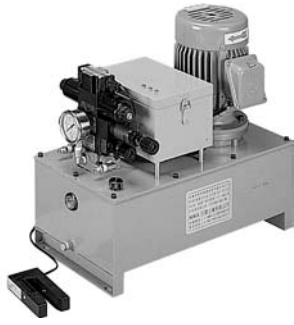


# CONTENTS



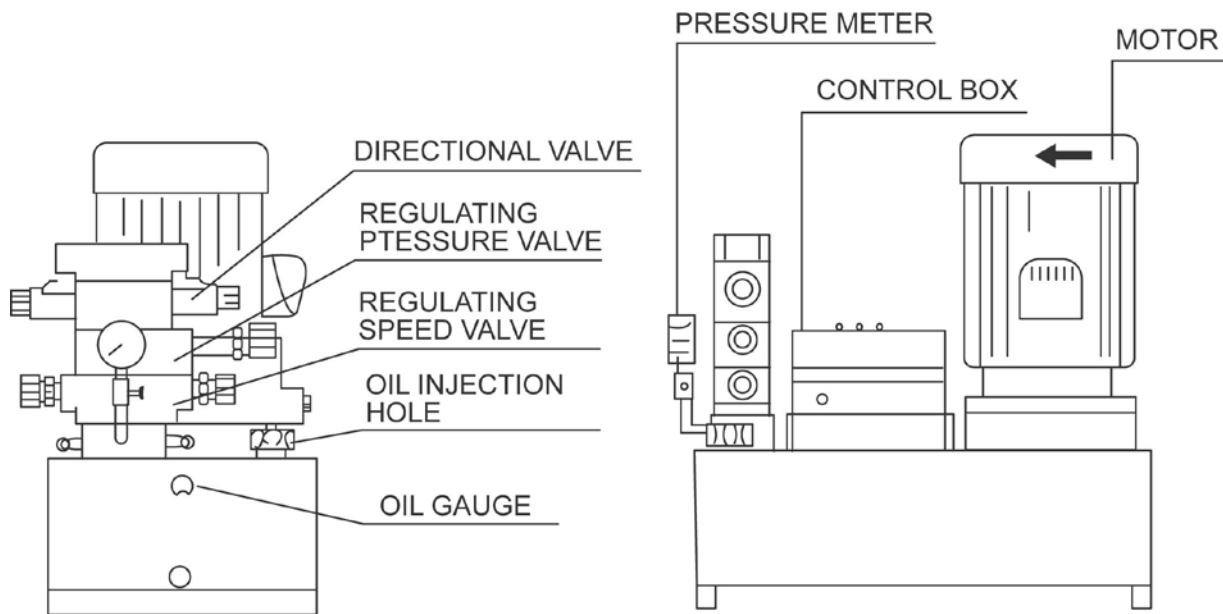
HC-HEI

.....*P1~P11*



# HC-HEI

## A. OUTSIDE PATTERN



ABOUT 14-15 LITER CPC RL 68 OR SHF 32 OIL

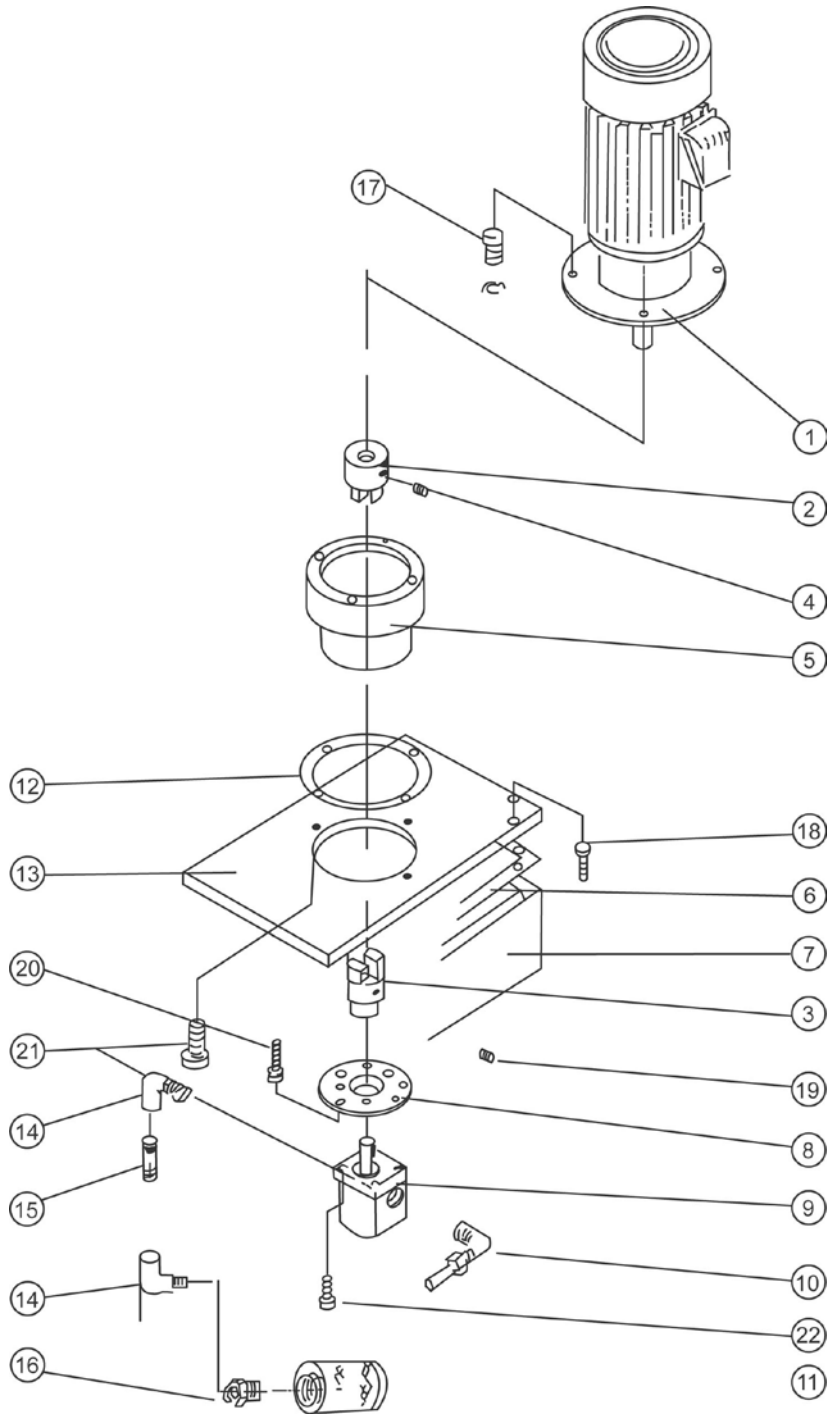
## B. OPERATON STATEMENT

1. The device has finished adjusting, need not to adjust it again,
2. Please don't touch regulating pressure valve in order to prevent high pressure and heavy load.
3. Standard working pressure is 20-25 kg.
4. The motion of motor is clockwise.
5. Please adjust regulating speed valve if the speed of oil cylinder is too fast.
6. Please keep sensor clean in order to signal clear.



# HC-HEI

## POWER PART DRAWING





# HC-HE1

## HC-HE1 Power Part name LIST

No.	NAME	Q
1	Motor 1/2 HP	1
2	Couple (Down)	1
3	Couple (upper)	1
4	Fixed screw	1
5	Motor fixed Basic	1
6	Gas set	1
7	Oil tank	1
8	Pump fixed plate	1
9	Gear Pump	1
10	L-Joint 1/4PT*1/4H	1
11	Oil Filter	1
12	Gas set	1
13	Oil Tank cover plate	1
14	L-Joint 3/8PT*3/8PT	2
15	I-Joint 3/8PT	1
16	I-Joint 3/8PT*1/2PT	1
17	Cap screw M8X25	4
18	Cap screw M6X16	8
19	Fixed screw M5X10	1
20	Cap screw M6x16	4
21	Cap screw M8x20	4
22	Cap screw M6x25	4



# HC-HEI

## HEI-OPTICAL SENSOR

### Specification

Supply voltage	Dc 10-30V	
Operation DC current	Under 、 25MA	
Response	Over 1 ms	
Application	Semi-Transparent	
Configuration	On-off	
Output	NPT 100 ma (max load)	
Operation temperature	-20° ~ +55°C	
Range	22mm	
Detector material	Aluminum	
Weight	About 450g	
Controller	CN-22T(NPN output)	
	CN-22S(SSR output)	



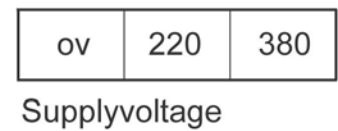
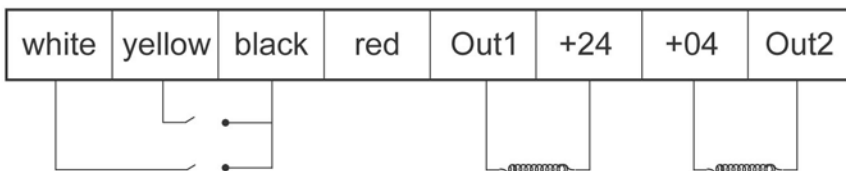
# HC-HEI

## AMP CONTROLLER

### (一) Specification

Model	CN-22T	CN-22S
Supply Voltage	AC 110V 220V 50/60HZ	AC 110V 220V 50/60HZ
OUTPUT Configuration	NPN DC	SSR AC
OUTPUT	DC 24V 3A	AC 110V 10A 220V 10A
Response	Over 1ms	Over 2ms

### (二) Terminal



input input - +  
1 2 DC 15V

⏟ ⏟

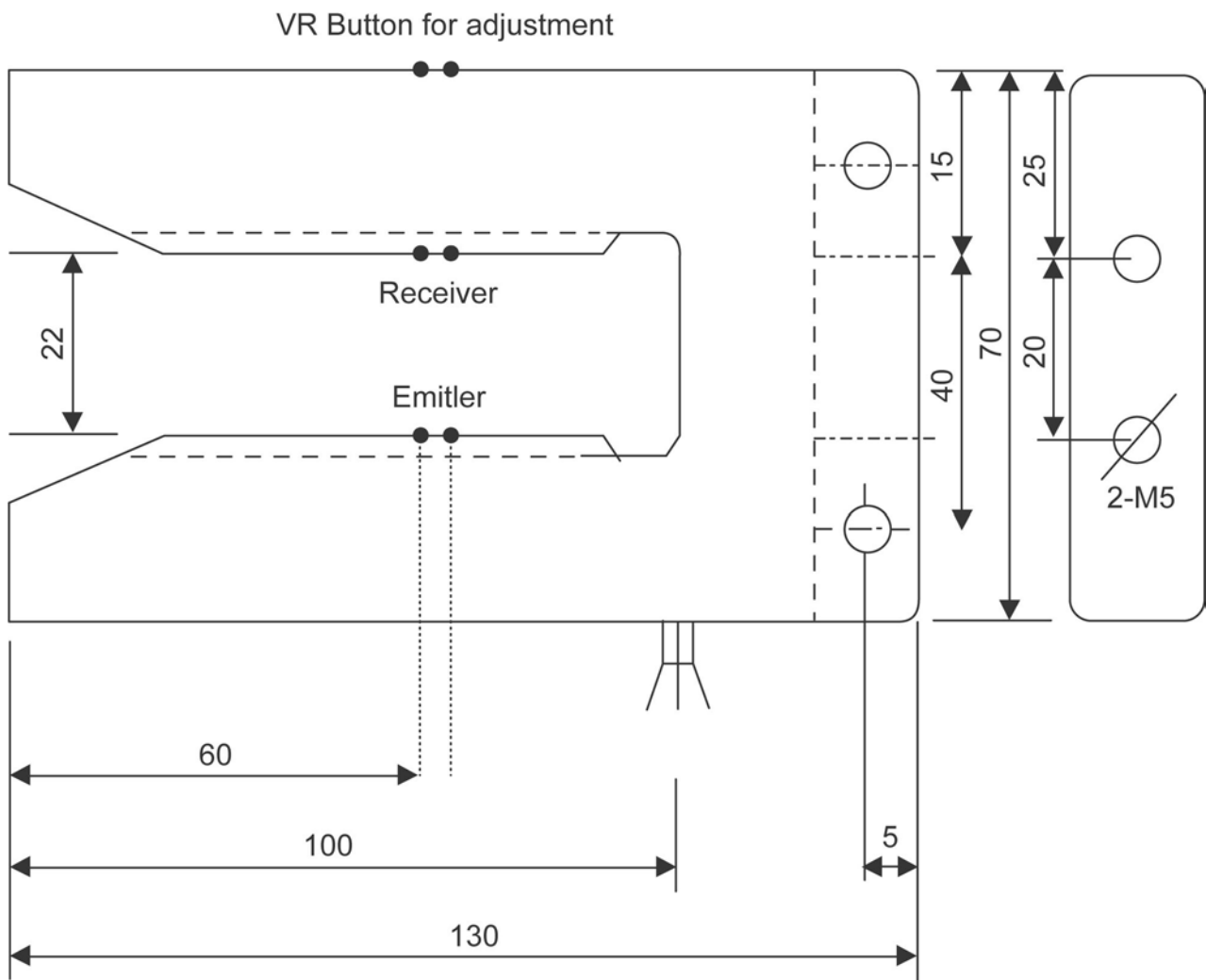
To photo  
Or other  
Switch

To electric source  
for photo



# HC-HEI

## (三) SENSOR: Dimension drawing





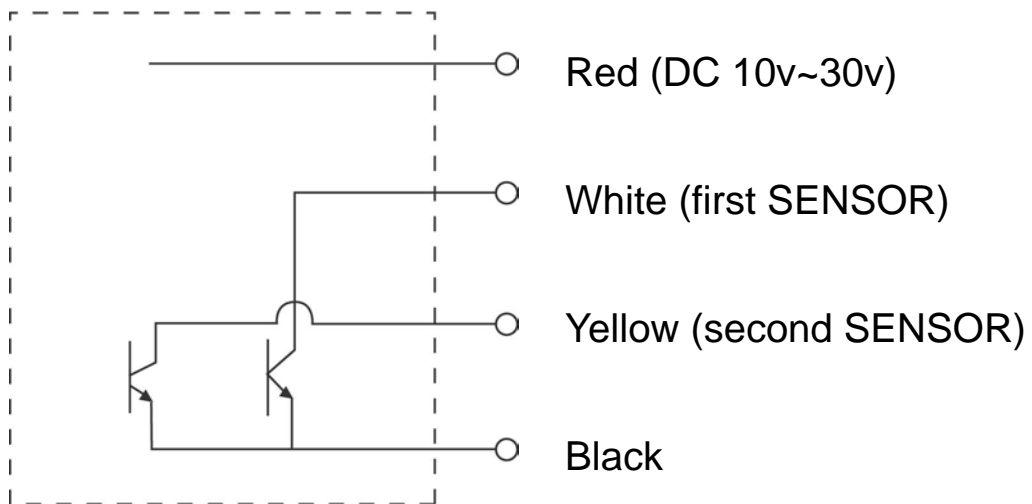
# HC-HEI

## (三) Controller plate light

Red 1      Green      Red2

Not input	Red1 on load 1 action
Input 1	Green on load 1 & load2 not action
Input 2	Red2 turn-on load2 action

## (三) OUTPUT current







# HC-HEI

## Installation

The improper mounting of the detector and improper arrangement of the rolls will result in unsatisfactory control performance, or will cause wrinkles to the web.

When planning and aligning the process line, the following described items must keep in mind,

### A. Unwinding (pay off reel system)

If the material wound is irregular, this system guide the edge position and let it regularly into the subsequent process.

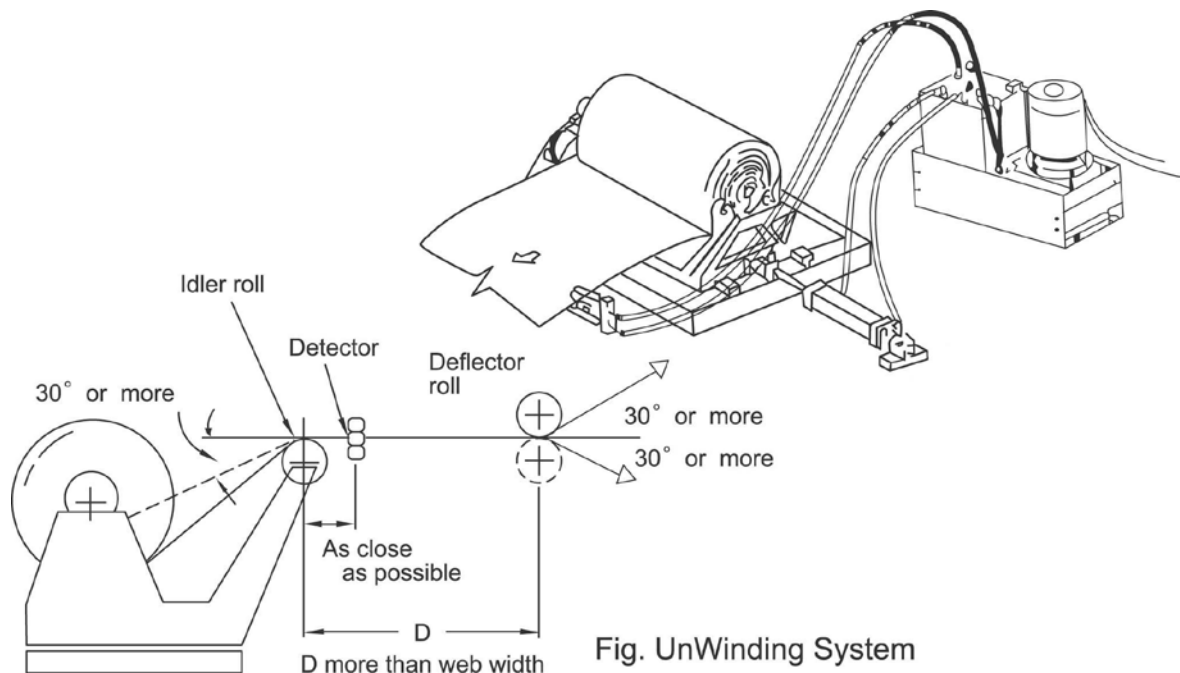
The idler roll moves with the unwinding reel stand.

Mount the detector fixed and as close to the idler roll as possible,

The leaving web formed a angle at the deflector roll should more than 30°.

The important, do not allow the web slip on this roll.

The distance between two rolls should be more than the maximum width of the web.

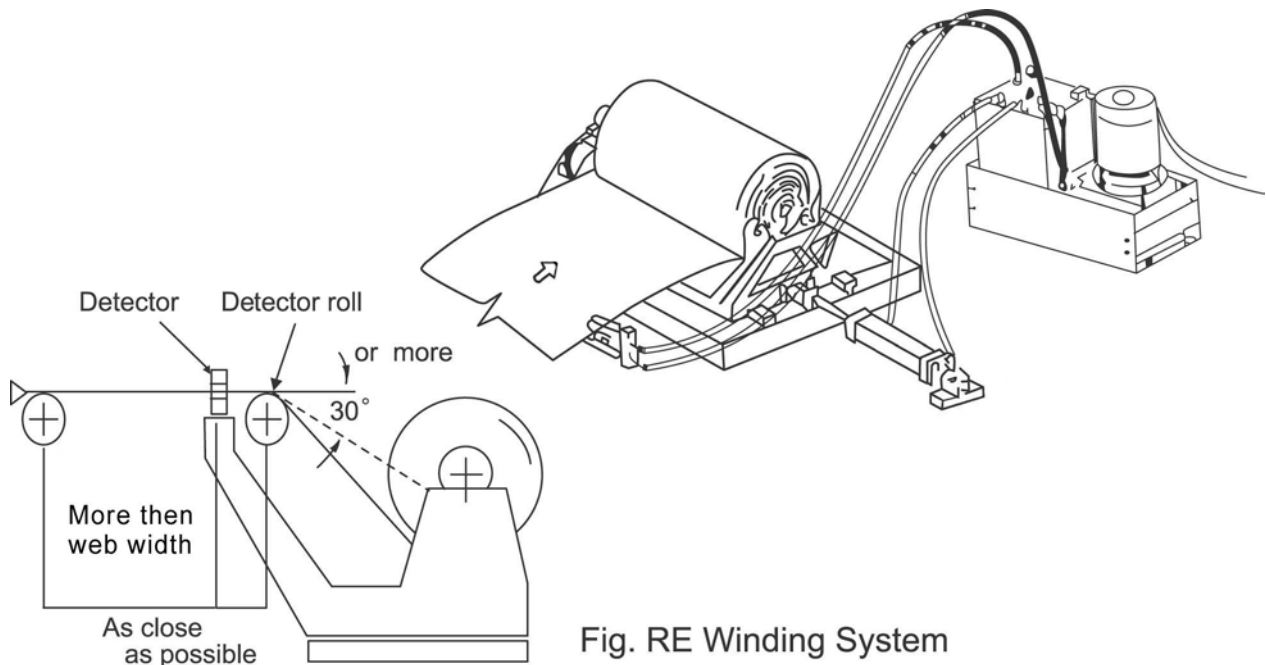




# HC-HEI

## Rewinding (wind-up reel system)

This reel system to uniform the web of winding up coil with edge alignment. Mount the deflector roll rigidly and independent from the reel stand. Mount the detector on reel stand-extending arm, so moves together with the wound coil. The detector located on the entry side of the deflector roll as close as possible. The angle formed by the incoming web on the deflector roll is no less than  $30^\circ$ . Larger diameter and higher friction are preferable to avoid slippage over this roll. The distance between the wind-up reel and the deflector roll should be more than the maximum width of the web. If distance is too short, wrinkles will happen on thin or soft web.





# HC-HEI

## Intermediate guiding system

When needed to correct web position in the middle of the process line, Niika recommend you most economic item End pivot roll guider.

This method particularly good for flexible web. It is available, when location in long distance between entry idler roll and exit idler roll. The assumed pivot of the guide roll rotation be arranged to be long, so turning angle of the guider rolls and the tension variation are lesser, will reducing the **wrapping** of the web. There have 90°wrap for single roll and 180° wrap for double rolls shown as below.

Mount the detector closer to the guide roll and secure do not allow web to contact the **detector** even when the pass line inclines for maximum correction.

The length of Y to be no less then 2 times of maximum web width, and Z to be about 2/3 of the Y. The distance x must **arrange** about 1 to 2 times of the maximum web width.

